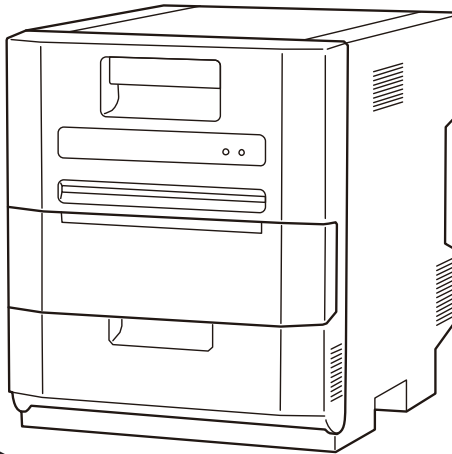


# HiTi M610

## User Manual



# TABLE OF CONTENTS

## Chapter 1. Important Safety Instruction

Environments	1-1
Handling Instruction	1-2
Handling Instruction for Consumable and Printed Output	1-3

## Chapter 2. Installing and Set Up

Table of Contents	2-1
Parts Name and Function	2-2
Connecting Power Cord & USB cable	2-3
Loading Paper	2-4
Loading Ink Ribbon	2 - 5
Loading Dust box	2-6

## Chapter 3. Routine Maintenance

Clean Print head & Rollers	3-1
Clean Filters	3-2

## Chapter 4. LED Message

LED Message table	4-1
-------------------	-----

## Chapter 5. Errors Handling

Error handling	5-1
----------------	-----

## Chapter 6. After-sales Service & Specification

Specification	6-1
---------------	-----

## Chapter 1. Important Safety Instruction

This manual provides detail instructions for the safety use of the printer.

Please read this manual carefully before operating the printer to ensure having proper use.

In this manual, there are notes that require special attention. For your safety operation, Safety Notices are separated as follows;



Inappropriate handling can cause serious wounds and/or physical damage to the users.



Explanation about the cause of the trouble and the environmental condition.

- ◆ It is difficult to forecast all the danger in setting and use of the printer. Therefore, warnings in this Operation Manual, in the other documents on the printer cannot cover all the cases. In case of performing the operation or maintenance which is not described in this manual, all the concern for the safety have to be taken care of at the customer side.
- ◆ Operation and the notification for the maintenance described in this manual and other documents are for the proper use of the printer. In case of using the printer for the other purpose, all the concern for the safety has to be taken care of at the customer side.
- ◆ Do not perform the operation which is prohibited in this manual and other document.
- ◆ The contents that cannot be printed due to a failure while using the use of this printer are not guaranteed.

## Environments

To use the printer safety, please pay attention to the followings:



Do not let children to touch the printer or cables. It may cause accidents or electric shock.



Do not place the printer under a humid or dusty place. It can cause a fire, electric shock or printer problem. Do not place the printer with dust, sand and high humidity such as bathing place, bathroom, hot spring, or on the street.



Do not place the printer on rickety place and/or inclined place. Printer may fall down or tumble and it can cause serious injury.



Do not place the printer under the low temperature such as ski yard, skating rink or open-air with direct sunlight.



Do not put vase, flowerpot, and cup or anything contents water or metric items on the printer. Water spilt or metallic items fall into the printer may cause the fire and electric shock. In case the water spilt or metallic items fall into the printer, please turn off the printer power immediately.



Do not block the openings of the printer. In case, the opening blocked, the heat will remain inside and it can cause the fire.

## Handling Instruction

When handling the printer, please pay attention to the followings;



Lift the printer from its box and put it onto a flat and firm table or desk.



When moving the printer, hold the bottom edge of the printer.



In the case of dropping the printer during transportation, contact HiTi dealers or service center for inspection of the printer. Using the printer with possible damage without proper inspection may cause fire or electric shock.



Do not dismantle or remodel the printer. Some sections of the printer contain a high voltage or become very hot. Ignoring this warning may cause electric shock, fire, or burns.



Please make sure the power is off and the power cord is removed from the printer before transportation.



Please take caution when transporting the printer on the slippery floor.



Secure the power cable firmly while using.



The thermal head reaches high temperature during operation but it is normal. Do not touch the thermal head by any case. Touch the thermal head may cause personal injury or damage of the printer.



Touching the surface of the thermal head directly may cause damage to the thermal head. Hard object getting into the printer may also cause the damage to the printer mechanism. In such case, please do not use the printer while any obstacle inside the printer.



Do not attempt to service the printer beyond the instruction specified in this document. In case of irrecoverable problem, please contact HiTi dealers or service center.

## Handling Instruction for Consumable and Printed Outputs

In handling the ink ribbon, paper and printed outputs, please pay attention to the followings;

### Paper Handling



- Use only the paper specified by HiTi.
- Store the paper flat.
- Store the paper in a dry and dark place to avoid direct sunlight.  
(Temperature less than 30°C, Humidity: less than 60%).
- Do not touch the paper surface before printing to avoid fingerprints.

### Ink Ribbon Handling



- Use the ink ribbon specified by HiTi.
- Store the ink ribbon in cool place to avoid sunlight.  
(Temperature less than 30°C, Humidity: less than 60%).

### Printout Handling



- Store the ink ribbon in cool place to avoid sunlight
- Store the printout way from the organic solvent or fluid which may change or deteriorate the colors.



When abandon the ink ribbon, please handle it as harmful industrial waste.



Please take caution while handling the paper to prevent injure to the hands or paper-cut.

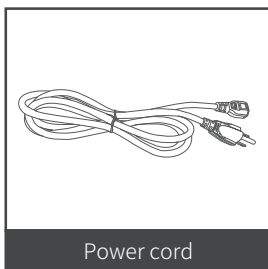
## Chapter 2. Installing and Set Up

### Table of Contents

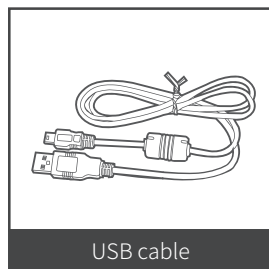
Take out the printer and accessories from the accessory bag and check the contents.



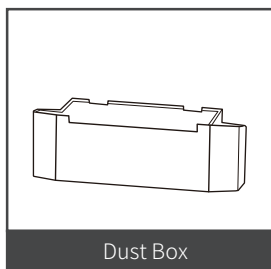
HiTi M610 Photo Printer



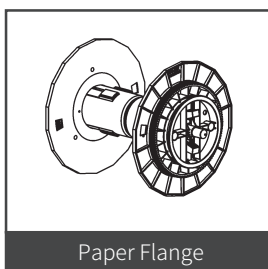
Power cord



USB cable

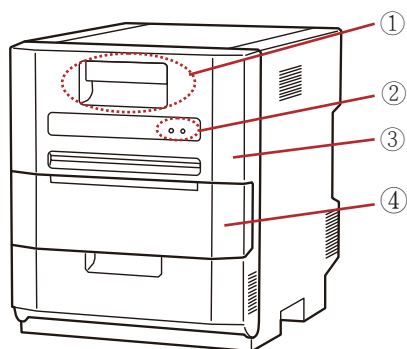


Dust Box

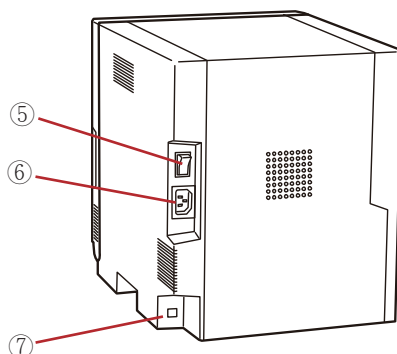


Paper Flange

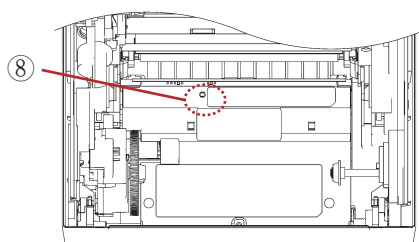
## Parts Name and Function



Front View



Side view

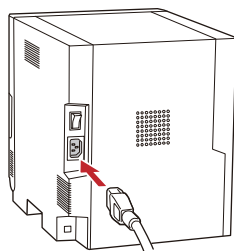


Inside view

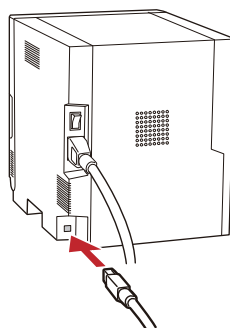
NO.	Name	Function
①	Open Lever	When open the Front Cover, hold this lever.
②	Printer Status LEDs	Printer status display LEDs are located on the panel.
③	Front Cover	Open the Front Cover when replacing an ink ribbon or paper, or when performing maintenance.
④	Dust Box	The Dust Box stacks trim dusts.
⑤	Power Switch	This switch turns on/off the power of the printer. <Caution> Once the printer is turned off, wait at least 3 seconds before turning it on again.
⑥	Power Connector	To be used to connect the power cable.
⑦	USB Connector	To be used to connect the USB cable.
⑧	Paper Setting LED	When setting the paper, insert the paper until the LED is lit. When the LED blinks, remove the paper until the LED goes off.

## Connecting the Power Cord & USB cable

Connect the power cord & USB cable according to the safety instructions below.



Connect the printer power cord to the power connector from the back.



Connect the USB cable to the USB slot from the back.



Before connecting the power cord, please make sure the printer is powered off.



Incorrect insertion of power cord may cause the fire or damage of printer.



Do not insert or remove the power cord with wet hands. It may cause electric leakage.



Do not damage or make any modification to the power cord. Misusing, such as putting the heavy items on the power cord, giving a strong pull to the power cord and twist the power cord may cause the fire and electric shock.



When moving the printer, make sure to turn off the power of the printer, remove the power cord in order to have no connection with other devices. Otherwise, the power cord might be damaged and it can cause the fire and electric shock. Also there is a possibility to fall down caught by the cord.

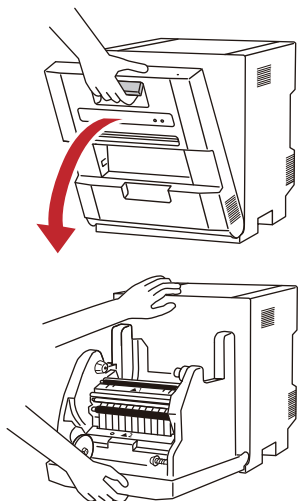


For the safety consideration, please remove the power cord from the printer if the printer is not to be used for long time.

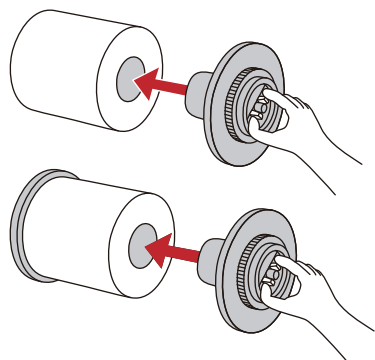


## Loading Paper

1. Turn on the power.
2. Pull the lever to open the front cover.

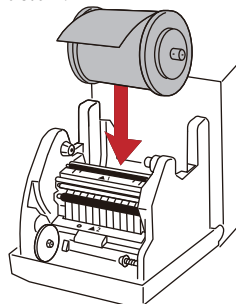


3. Install the paper flanges in the paper roll while holding down the knob on the paper flanges.

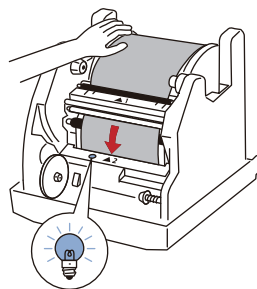
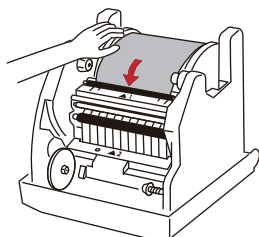


**!** **CAUTION:** The paper is not set correctly if there is a gap of about 10mm between the paper flanges and paper roll.

4. Set the paper roll to the printer.  
After setting the paper roll, remove the seal from the paper and load the paper roll as below.



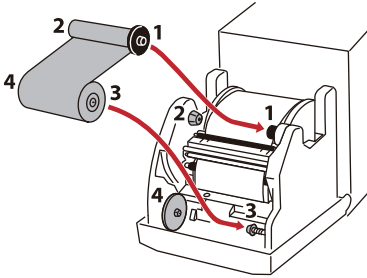
5. Insert the edge of paper under the guide roller by rotating the paper flanges. It is ready when the PAPERSET LED turns to blue.



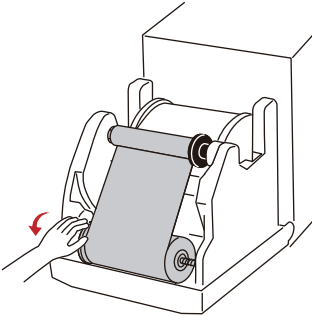
**!** **CAUTION:** The paper roll is not set correctly if the PAPERSET LED is blinking in red.

## Loading Ink Ribbon

1. Set the ink ribbon to the printing unit as shown below.

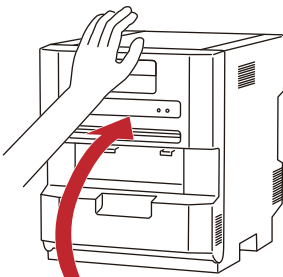


2. Tighten the ink ribbon by turning the ink ribbon supply core.



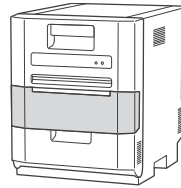
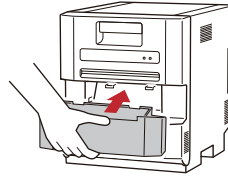
3. Close the front cover gently

When both the paper and the ink ribbon are loaded into the printer and the front cover is closed, the printer will be initialized and few paper will be ejected automatically.

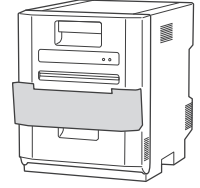


## Loading Dust Box

1. Push the dust box to the printer
2. Please make sure there is no gap between the dust box and the printer.

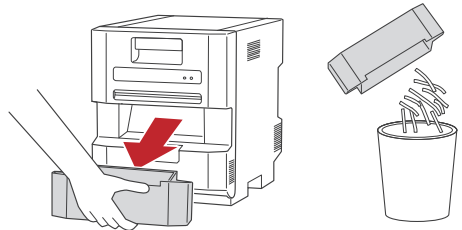


OK



X

3. In case that trim dusts are stacked in the dust box, make sure to throw them away.



The following cautions are necessary in transportation of the printer

1. Remove the ink ribbon and paper from the printer before transporting the printer.
2. Use the original box to transport the printer. If the box used at the purchase cannot be used, consult with your distributor and purchase a new box.

## Chapter 3. Routine Maintenance

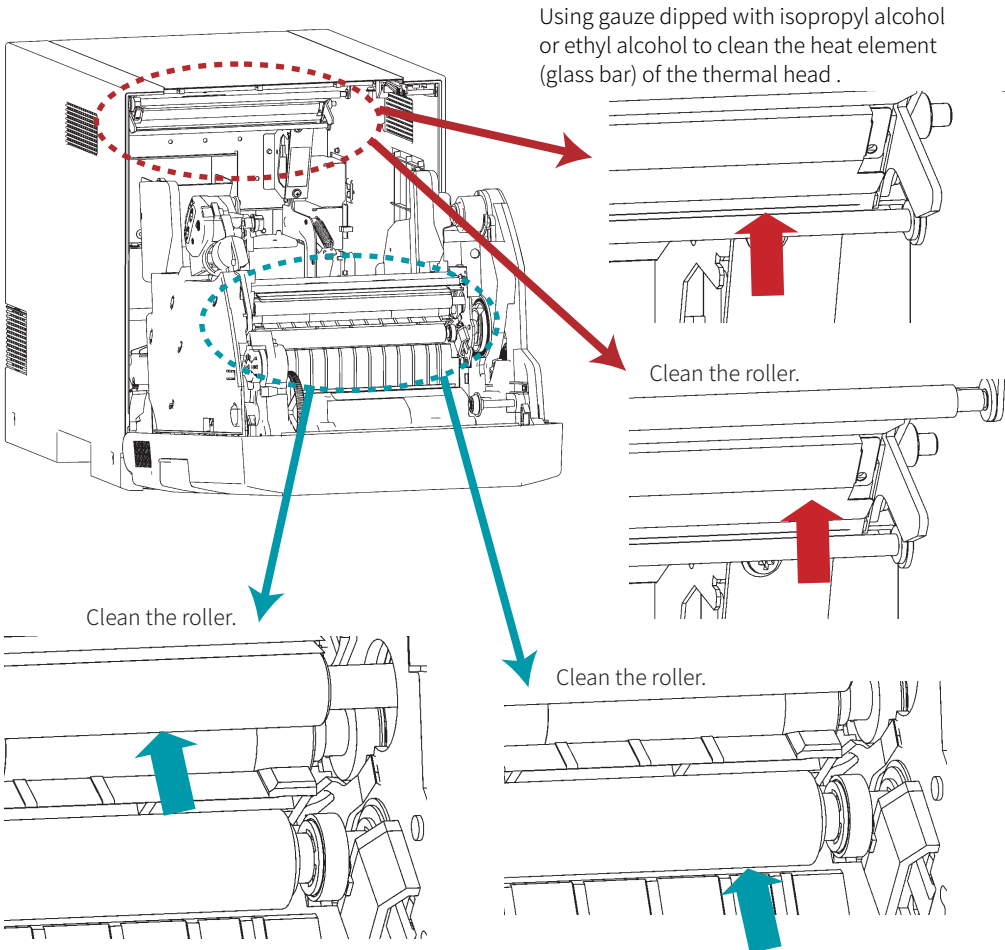
### Cleaning Thermal Head and Rollers

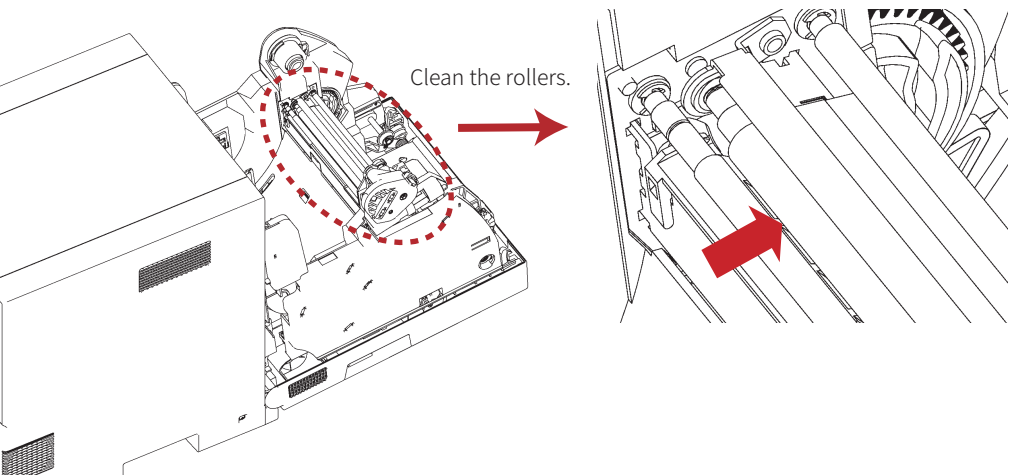
In order to keep the best printing quality, it is recommended to clean Thermal Head, Peeling Roller, Platen Roller and Main Pinch Roller once per month.



**Caution:** Make sure that the power is turned off before cleaning.

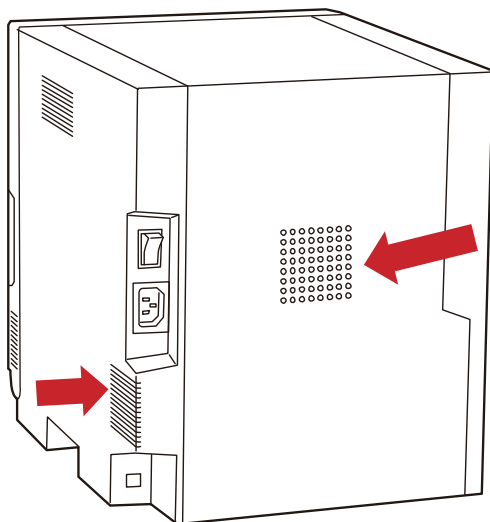
Make sure that the thermal head has been sufficiently cooled down before cleaning. Be careful not to damage the Thermal Head.





## Clean the filters

User vacuum cleaner to clean the filters.



## Chapter 4. LED messages



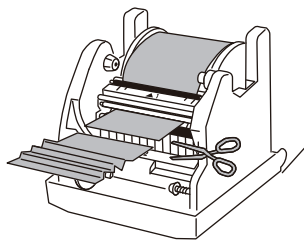
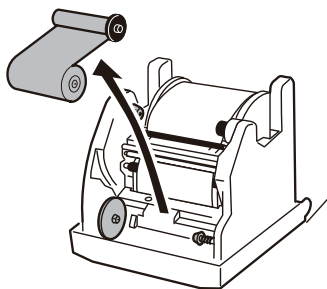
● : On    ○ : Off    ★ Blink (Slow)    ✕ : Blink (Flashing)

LED Indicate			Status
Power	Error	Set up	
○			The printer is power off
★			The printer is initializing
●			The printer is ready
●	★	○	The paper is empty, or the paper is not loaded
		● Yellow	The ink ribbon is empty, or the ink ribbon is not installed
		● Purple	The ink ribbon loaded is not supported.
●	✕	✕ Yellow	The printer could not take up the ink ribbon
		✕ Red	Paper jam is occurred
★ (Concurrently) ★			The front cover opened
		● Blue	The paper has been installed
★ (Alternately) ★		N/A	The front cover is not closed correctly
●	●	N/A	Control board in trouble
★	●	N/A	The printer Mechanical is faulty

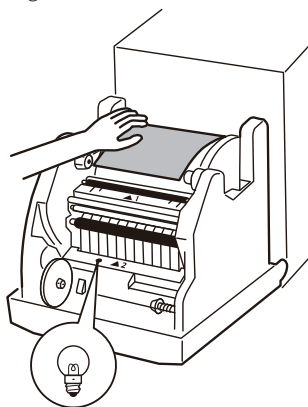
## Chapter 5. Errors Handling

### Paper Jam

1. Open the front cover.
2. Remove the Ink Ribbon.
3. Cut off the fold section.

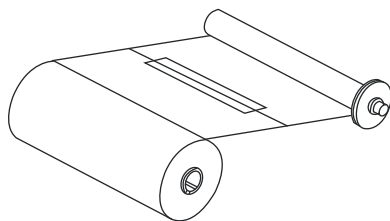


4. Pull out the paper until the paper setting LED goes off.

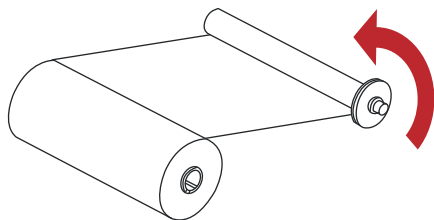


### Ink Ribbon snapped

1. Stick the broken part of the ribbon with a tape.



2. Turn the ribbon on the rewinding side and rewind the taped section completely.



## Chapter 6. After-sales Service and Specification

Contact your HiTi dealers or service center for the details about after-sales service.

### Specifications

Resolution	300*300 dpi
Print Speed	14 sec (6x4"), 23 sec (6x8")
Print Size	6x4", 6x8"
Ribbon/Paper Capacity	750 print/roll (6x4"), 375 Print/roll (6x8")
Power	100 to 240 V AC
Power consumption	165 W / 1.8 A
Interface	USB 2.0
Support OS	Win7 and above 、 macOS v.10.6 or above
Dimensions	290 x 375 x 345 mm
Weight	15kgs

\*Specifications subject to change without notice

## Customer Service Information

### Online Support

For further inquires, please log on to HiTi Digital Inc., website at [www.hiti.com](http://www.hiti.com) where users can download free updated drivers, applications, and latest e-templates.

# Sales Office

## 台灣-全球總部 Taiwan - Global Headquarters

誠研科技股份有限公司 HiTi Digital (Taipei), Inc.

231 新北市新店區北新路三段 213 號 9 樓

9F., No.213, Sec. 3, Beixin Rd., Xindian Dist., New Taipei City 231, Taiwan (R.O.C.)

TEL: +886-2-2912-6268

FAX: +886-2-2912-6118

## 中国苏州 Suzhou China

誠研科技苏州有限公司 HiTi Digital (Suzhou), Inc.

215125 苏州工业园区苏州大道东381号商旅大厦1914 室

Room 1914, No. 381, Suzhou Ave. East, Suzhou Industrial Park,  
Suzhou City, Jiangsu Province, China

TEL: +86-512-82281688-2195

FAX: +86-512-82281690

## Singapore

HiTi Digital Singapore Pte Ltd

No. 237 Alexandra Road, #05-14, The Alexcier Singapore 159929.

TEL: +65-6475-1885

FAX: +65-6475-2281

## U.S.A. (North America)

HiTi Digital America, Inc.

675 Brea Canyon Rd., Suite 7 Walnut, CA 91789, U.S.A.

TEL: +1-844-319-0099, +1-909-594-0099

FAX: +1-909-598-0011

## Latin America

HiTi Digital, Inc. Oficina de Enlace en México

Pilares 506 Col. Del Valle Del. Benito Juárez CDMX 03100 MÉXICO

TEL: +52 (55) 7587-4057, +52 (55) 7587-4058, +52 (55) 7587-4059

+52 55 7587-4060

FAX:+1-925-2622375

## Europe

HiTi Digital Europe S.r.l

Via Walter Marcobi 4, 21100 Varese, Italy

TEL: +39 332 1765 314

Technical Support: +39 332 1765 312

FAX: +39 332 1765 315



Copyright © 2020 HiTi Digital, Inc. All Rights Reserved.

All trademarks and brand names are properties of respective companies.